



Illuminated Anti-Vandal – 12mm

## Specifications

Electrical Ratings	2A @ 48VDC	Actuation Force	500 ± 100gF
Electrical Life	200,000 cycles typical	Actuation Travel	1.7 ± .25mm
Contact Resistance	≤ 50mΩ initial	Dielectric Strength	2000Vrms min between contacts
Mechanical Resistance	500,000 cycles typical	Insulation Resistance	≥ 100MΩ min @ 250VDC
Sealing Degree	IP67	Operating Temperature	-40°C to 85°C
		Storage Temperature	-40°C to 85°C

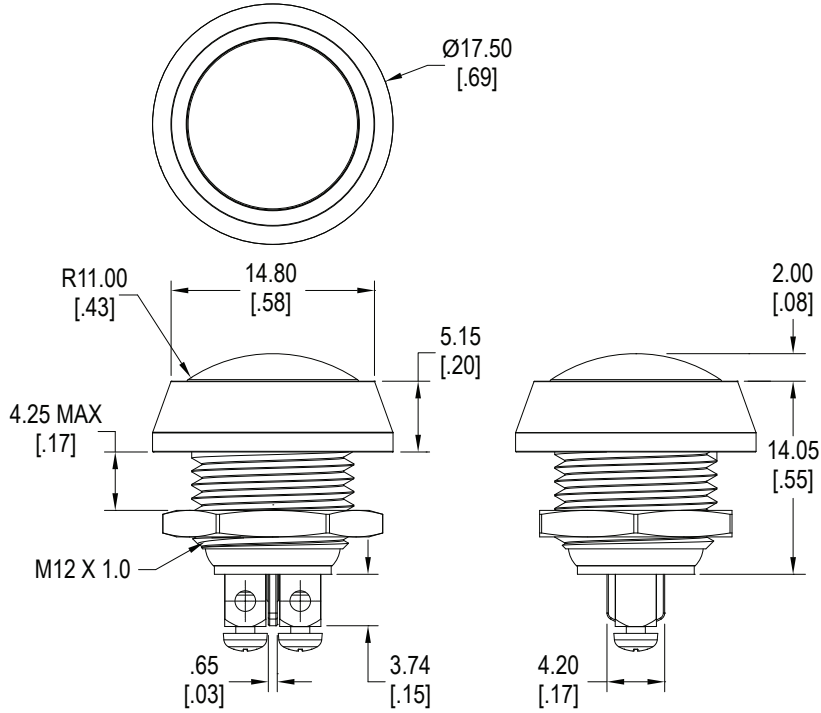
## Materials

Actuator	Polybutylene Terephthalate (PBT) or Stainless Steel
Base	Polybutylene Terephthalate (PBT)
Housing	Aluminum or Stainless Steel
Contacts	Silver Alloy
Terminals	Nickel Plated Brass
Hardware - Nut	Nickel Plated Brass

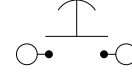
## Ordering Information

1. Series	EH	12	N	M	SS		B	X
EH								
2. Switch Body Diameter 12 = 12mm								
3. Switch Function N = Momentary								
4. Actuator Style: M = Round								
5. Switch Finish SS = Brushed Stainless Steel B = Black Anodized Aluminum								
6. Cap Color Options Blank = Stainless Steel 2 = Black 3 = Red 4 = Yellow 5 = Green 7 = Blue								
7. Terminal Options Z = Screw Terminals B = Solder Lugs								
8. Terminal Options X = No LED <i>contact factory for LED options</i>								

**Dimensions**

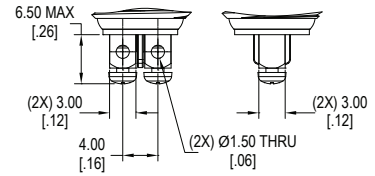


**Schematics**

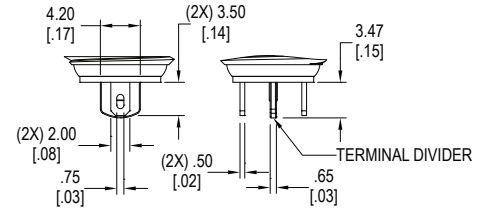


**Terminal Options**

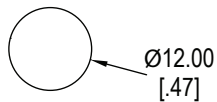
**Screw Terminal**



**Solder Lug**



**Panel Cut-Out**



**Custom Capabilities** Contact Factory

Cable Assemblies

